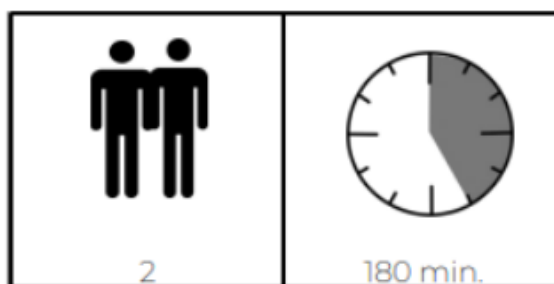


# evolar

## HEAT PUMP COVER INSTALLATION INSTRUCTIONS



SILENTBOX GAMA S



**Evolar**

Mercuriusstraat 5  
6541 BM Nijmegen  
The Netherlands

T +31 (0)24 2120369  
[www.evolarshop.com](http://www.evolarshop.com)

TOOLS REQUIRED FOR ASSEMBLY (NOT INCLUDED)



HAMMER



TAPE MEASURE



DRILL



BORER pr.8x60



IMBUS 4



HEADER 8mm



KNIFE

PACKAGE CONTENTS



142x

SCREW M6x16 DIN 7380



15x

SCREW M6x60 DIN 7380



142x

WASHER 6 DIN 125A



15x

WASHER 8 PLAST



10x

TEX 4,8x16



13x

MNA-Z 8x50



5m

DOUBLE-SIDE ADHESIVE TAPE



18m

EPDM SEAL



2x

GAMA S1



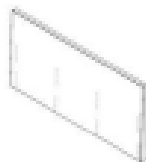
2x

GAMA S 2



2x

GAMA S 6



2x

GAMA S 8



2x

GAMA S 9



1x

GAMA S 12



2x

GAMA S 13



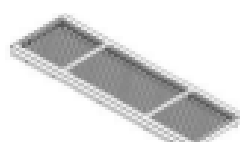
1x

GAMA S 14



2x

GAMA S 15



2x

GAMA S 16



2x

GAMA S 18



1x

GAMA S 19



1x

GAMA S 20



1x

GAMA S 59



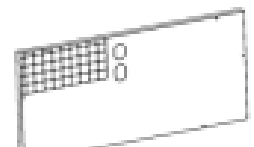
1x

GAMA S 50



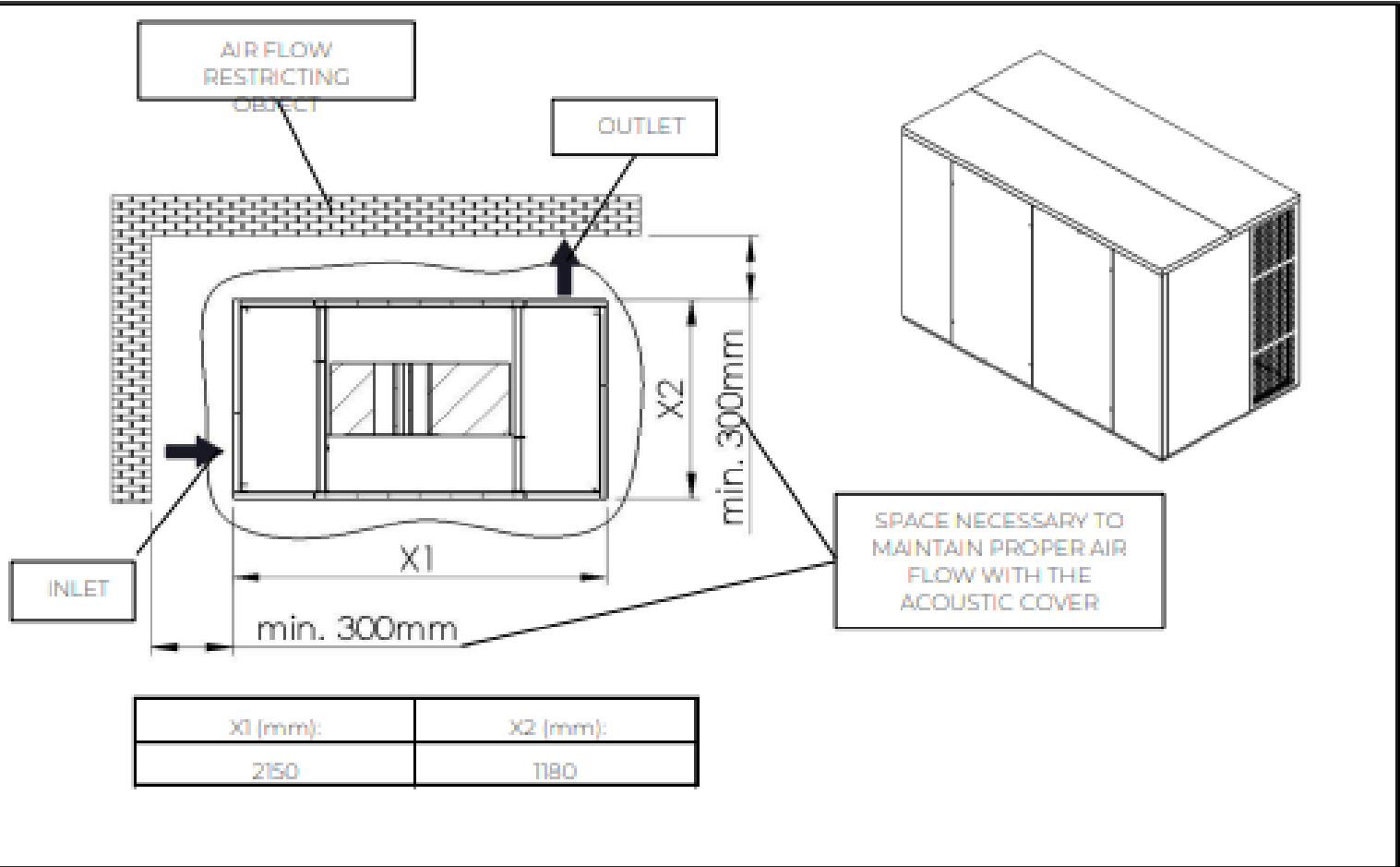
1x

GAMA S 21

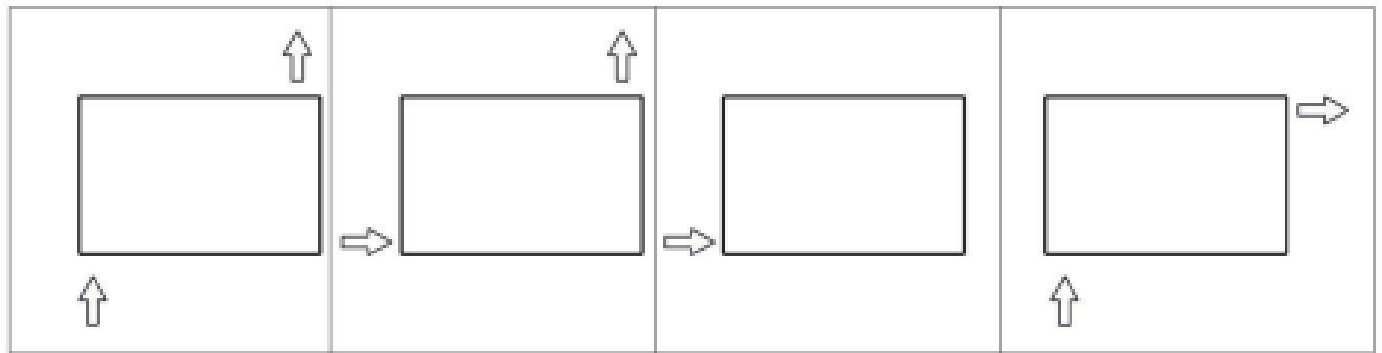


1x

GAMA S 22



SILENTBOX ACOUSTIC COVER COMBINATION AND DISCHARGE



ACOUSTIC COVER DISCHARGE DIRECTION



ACOUSTIC COVER DISCHARGE DIRECTION

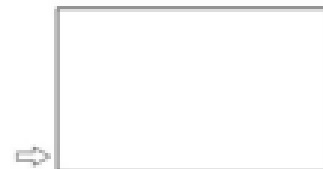


ASSEMBLY POINT NO.: 3.1; 3.2; 3.3.

ASSEMBLY POINT NO.: 4.1; 4.2; 4.3

ACOUSTIC COVER SUCTION DIRECTION

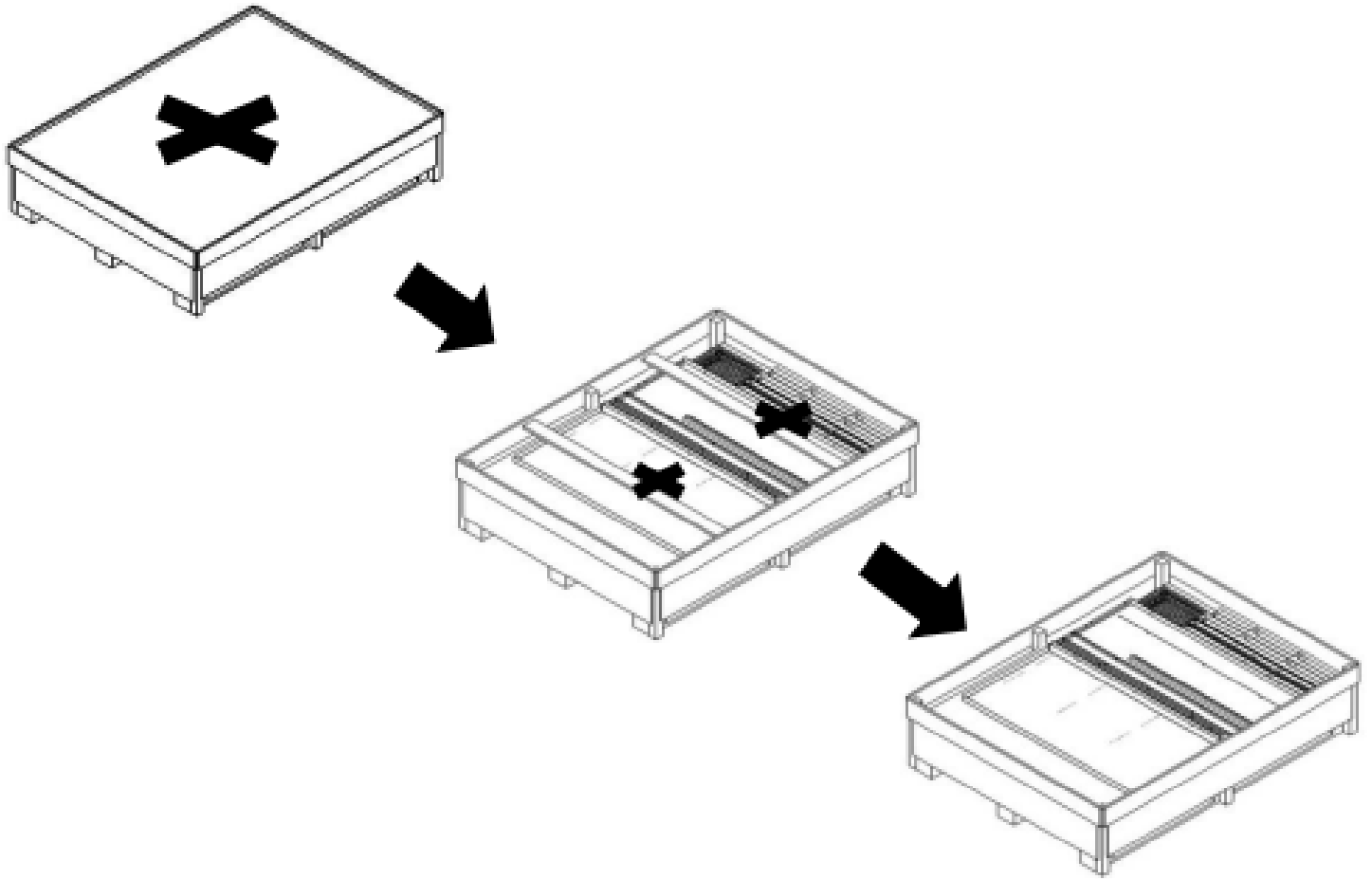
ACOUSTIC COVER SUCTION DIRECTION



ASSEMBLY POINT NO.: 5.1; 5.2; 5.3; 5.4.

ASSEMBLY POINT NO.: 6.1; 6.2; 6.3; 6.4.

1.



2.



2x

GAMA S1



2x

GAMA S2



TAPE MEASURE



HAMMER



BORER pr. 8x60



DRILL



IMBUS 4



13x

MNA-Z 8x50



12x

SCREW M6x16 DIN 7380



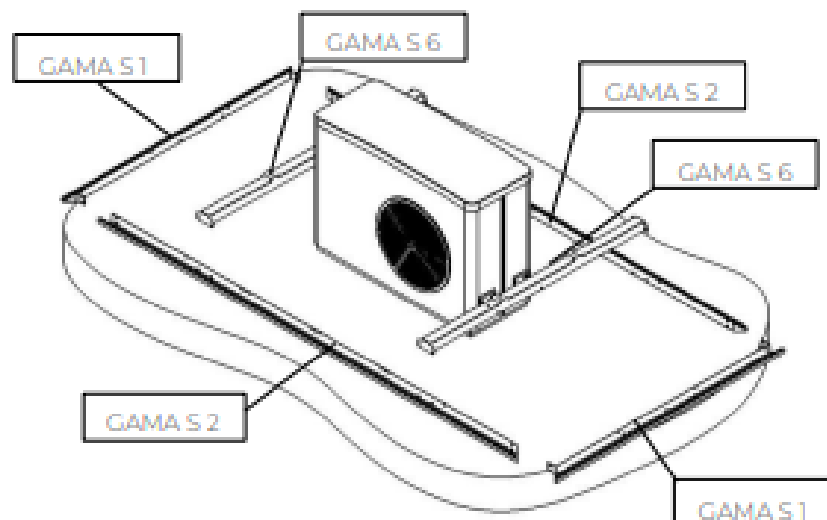
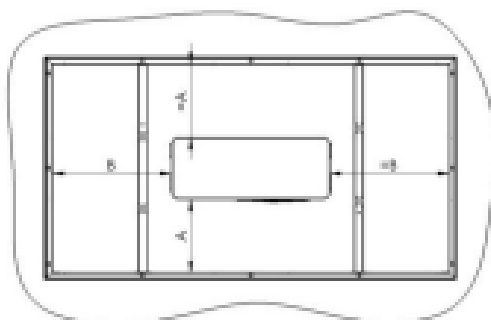
2x

GAMA S 6

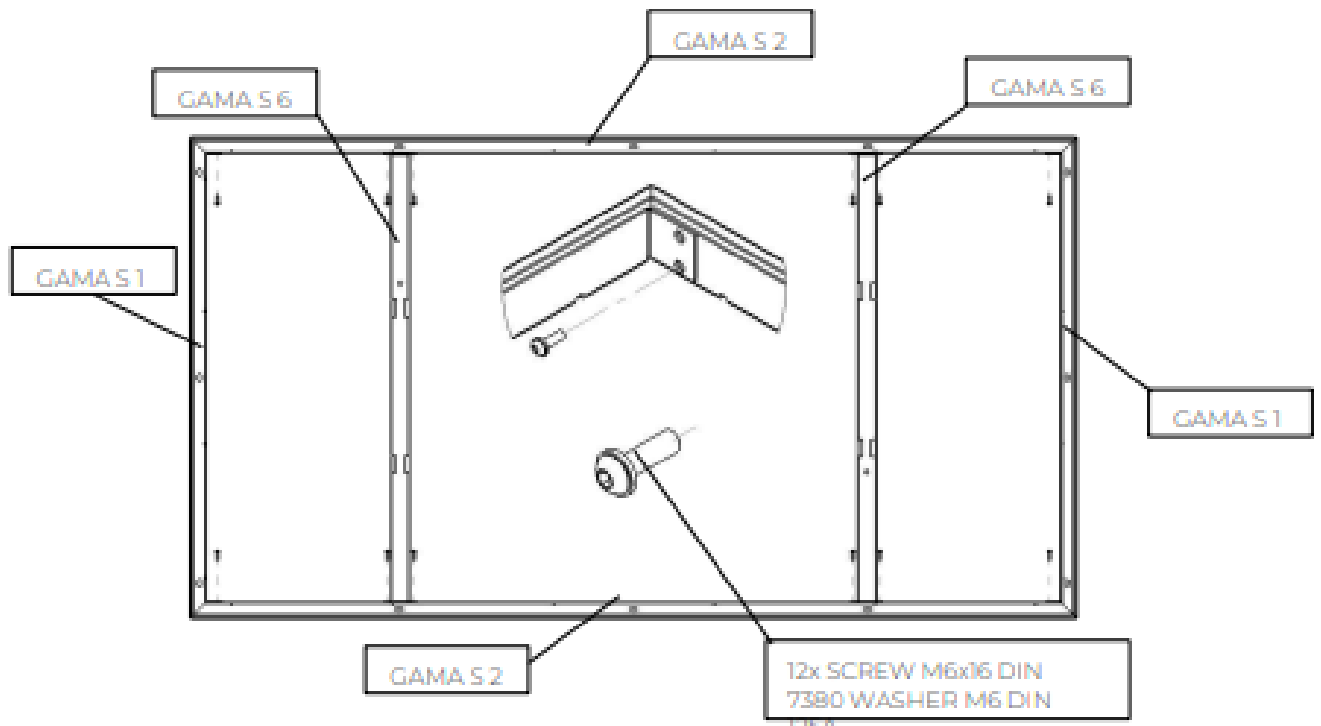


12x

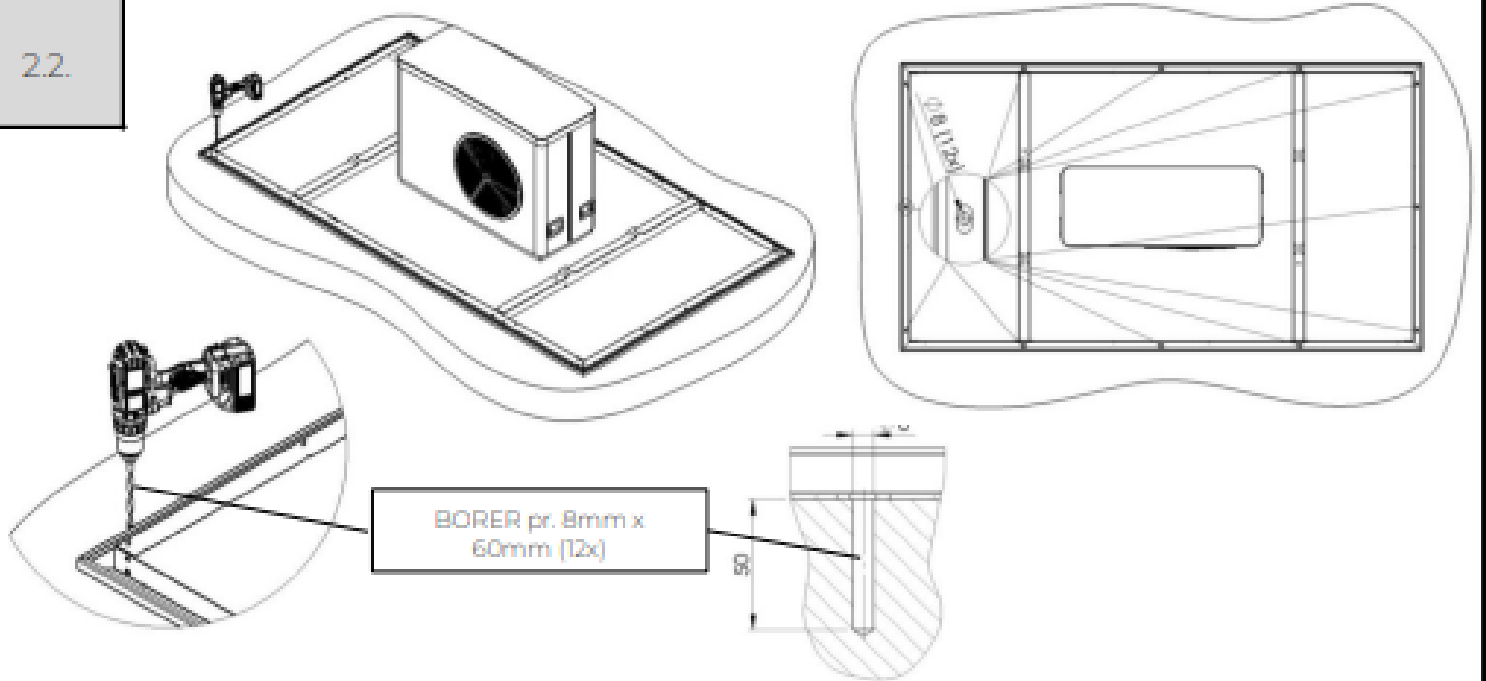
WASHER 6 DIN 125A



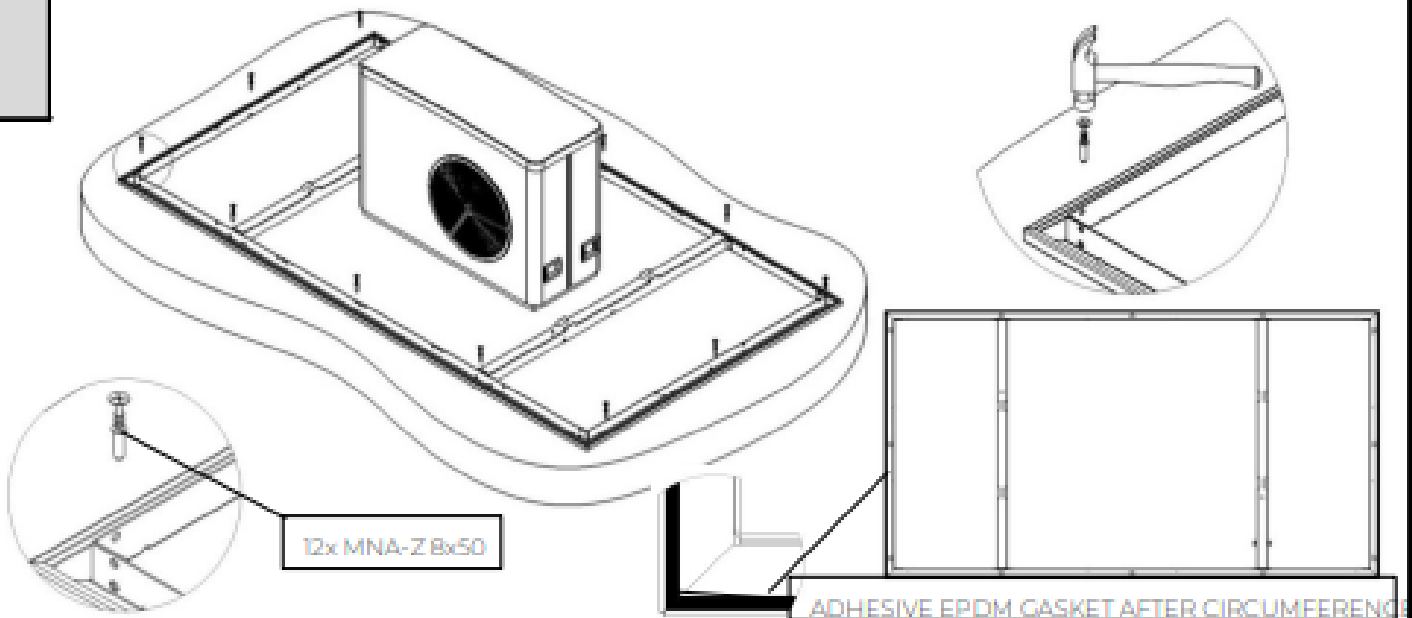
21.















22.

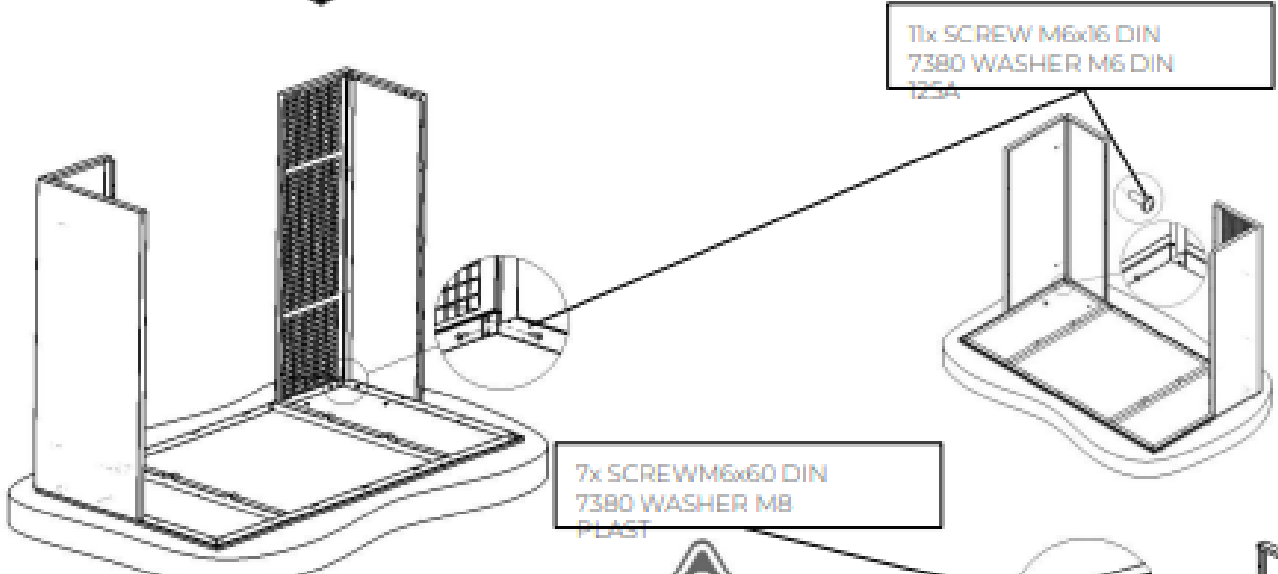
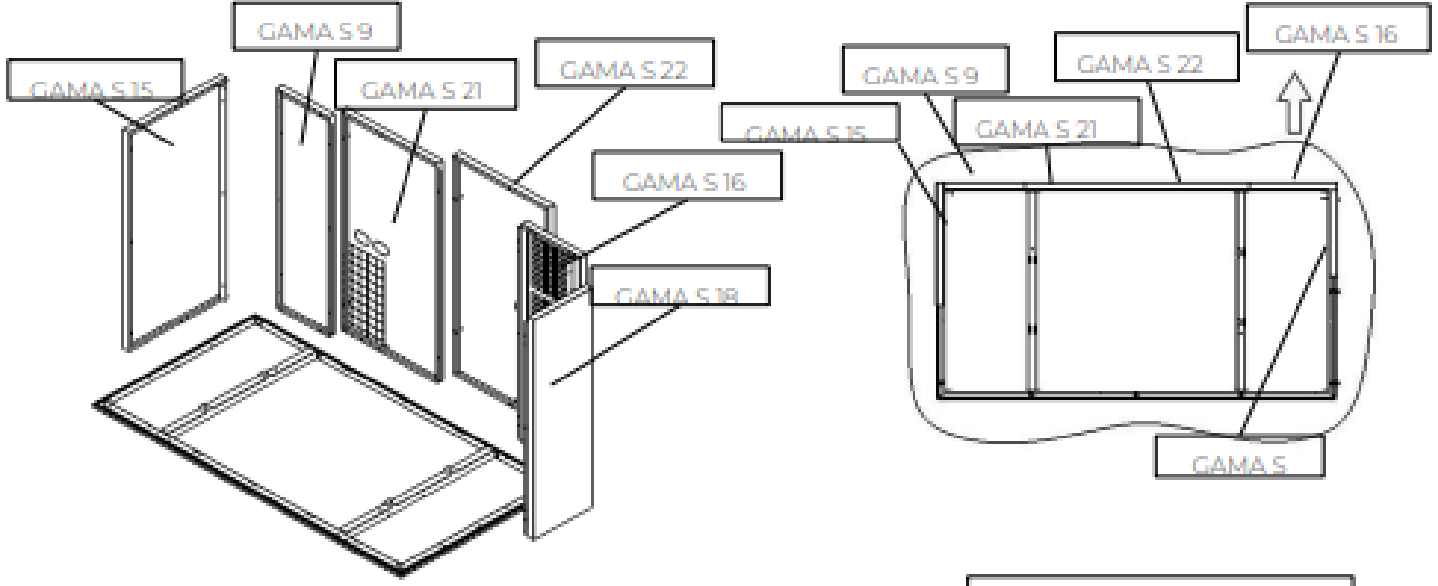


23.

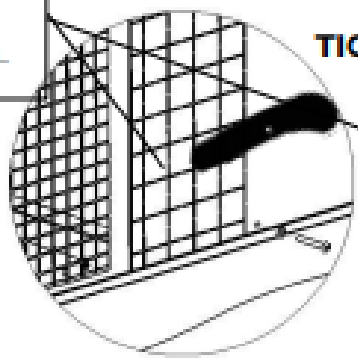


3.1.

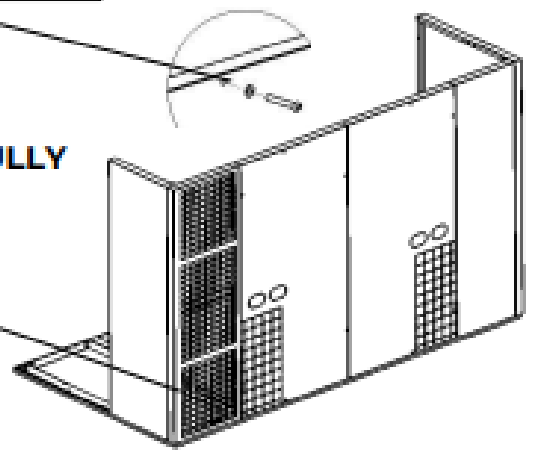
	 1x	 1x	 1x
<b>DIRECTION OUTLET</b>	GAMA S 9	GAMA S 15	GAMA S 16
 1x	 1x	 11x	 11x
GAMA S 18	GAMA S 21	SCREW M6x16 DIN 7380	WASHER 6 DIN 125A
 7x	 7x		 1x
SCREW M6x60 DIN 7380	WASHER 8 PLAST	KNIFE	GAMA S 22







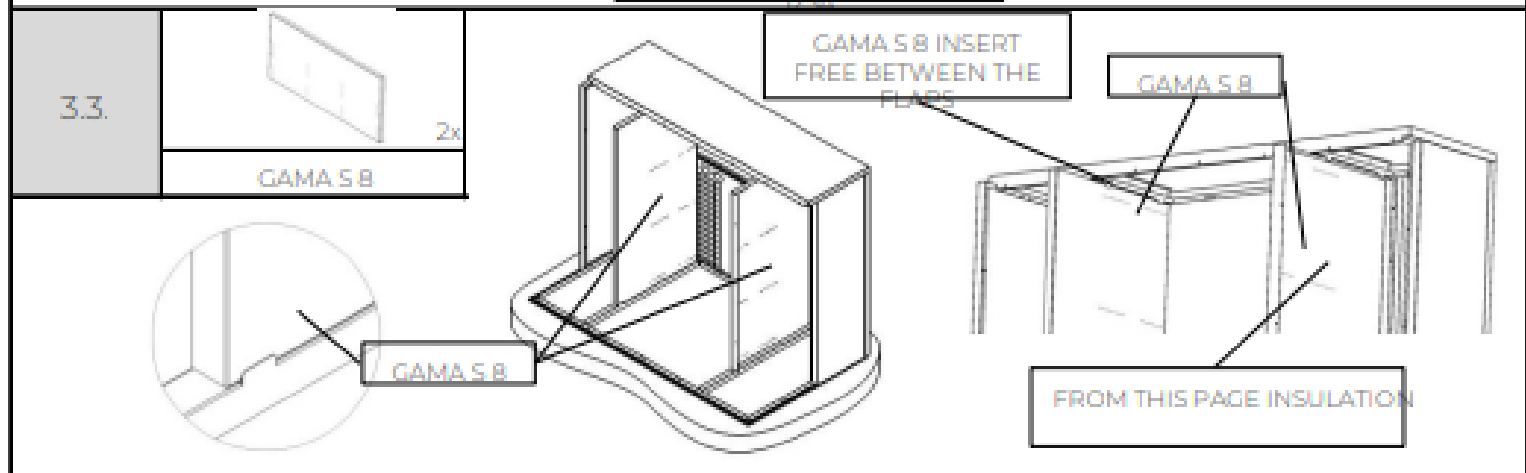
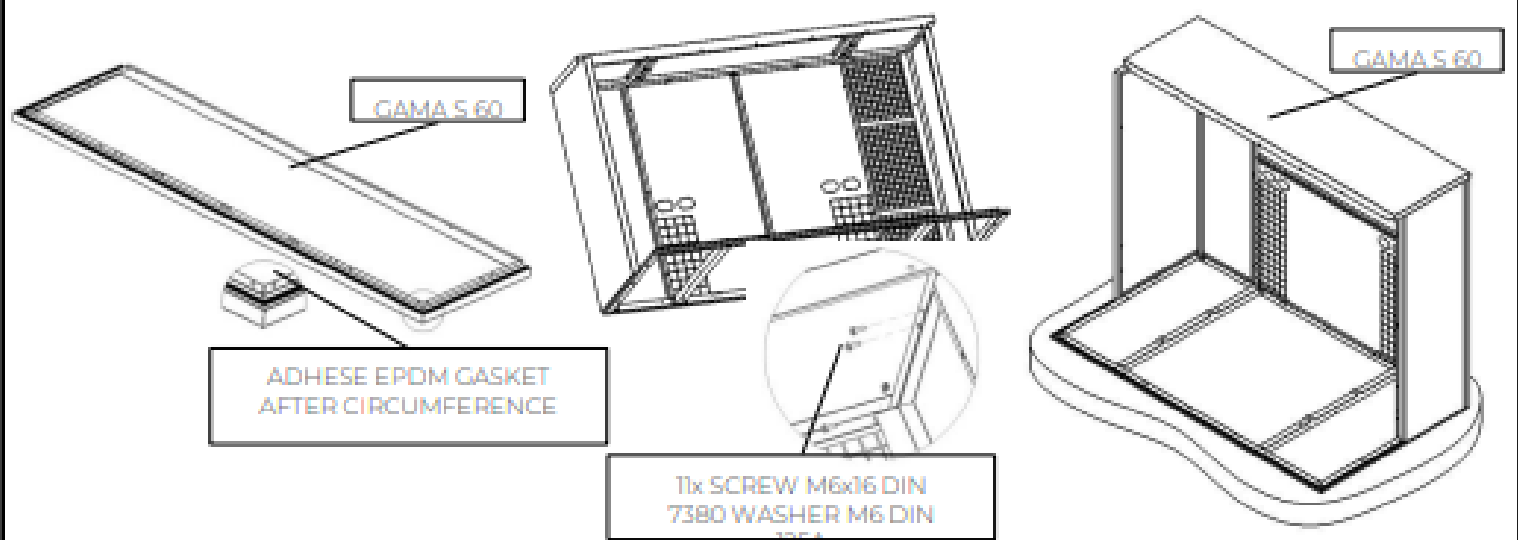
BREAK THE GRID AS NEEDED FOR SUPPLY TECHNOLOGY CUT THE INSULATION IN THE PANEL WITH







**TIGHTEN CAREFULLY**



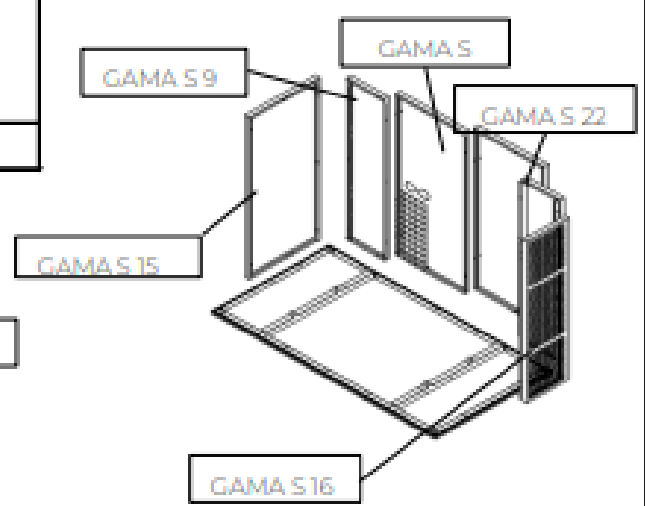
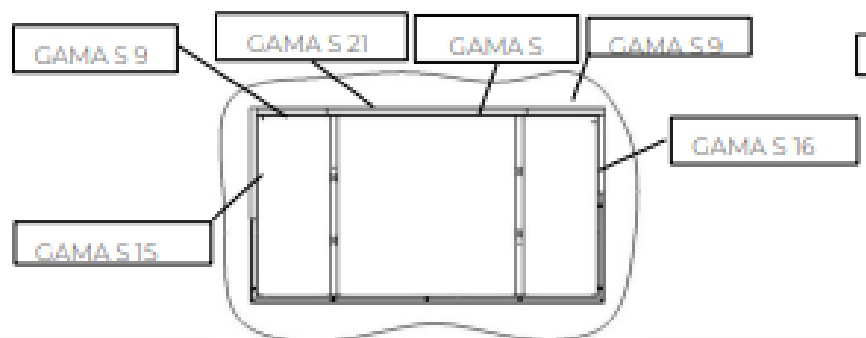
3.2.	 1x	 10x	 10x	
	GAMA S 60	SCREW M6x16 DIN 7380	WASHER 6 DIN 125A	IMBUS 4



4.1.		 2x	 1x	 1x
	<b>DIRECTION OUTLET</b>	GAMA S 9	GAMA S 15	GAMA S 16

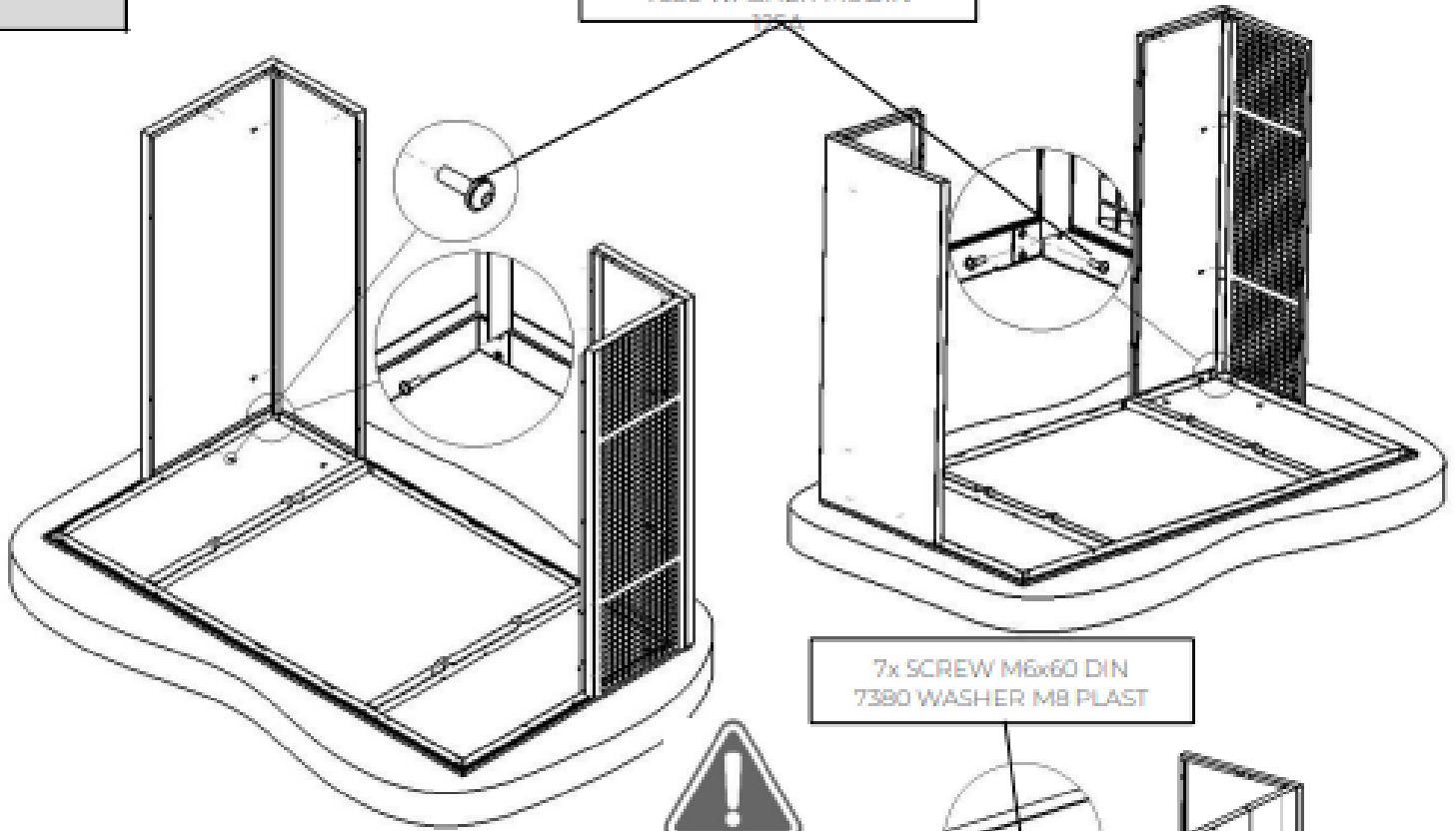
 1x	 1x	 11x	 11x	
GAMA S 22	GAMA S 21	SCREW M6x16 DIN 7380	WASHER 6 DIN 125A	IMBUS 4

 7x	 7x				
SCREW M6x60 DIN 7380	WASHER 8 PLAST	KNIFE			



4.1.

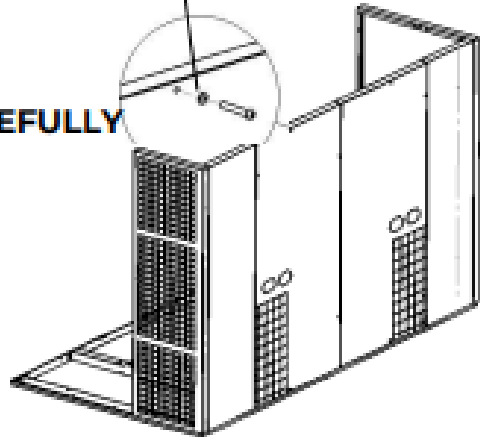
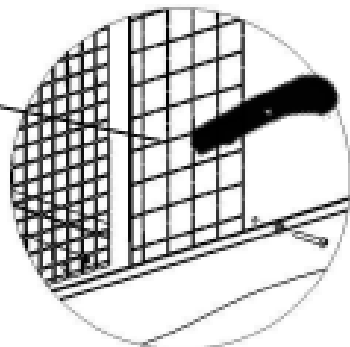
1x SCREW M6x16 DIN 7380  
WASHER M6 DIN 125A



7x SCREW M6x60 DIN 7380  
WASHER M8 PLAST

**TIGHTEN CAREFULLY**

BREAK THE GRID AS NEEDED FOR SUPPLY TECHNOLOGY CUT THE INSULATION IN THE PANEL WITH



4.2.



1x

GAMA S 50



10x

SCREW M6x16 DIN 7380

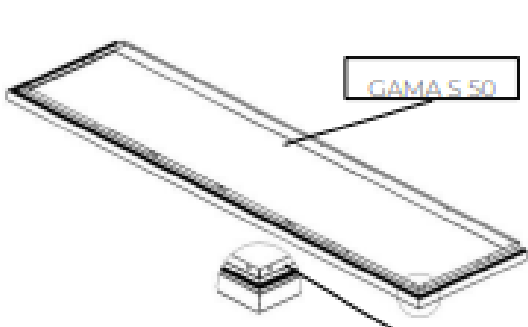


10x

WASHER 6 DIN 125A

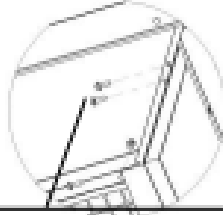
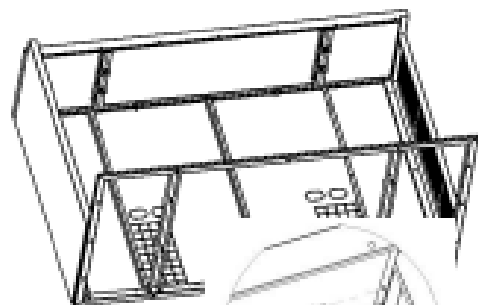


IMBUS 4

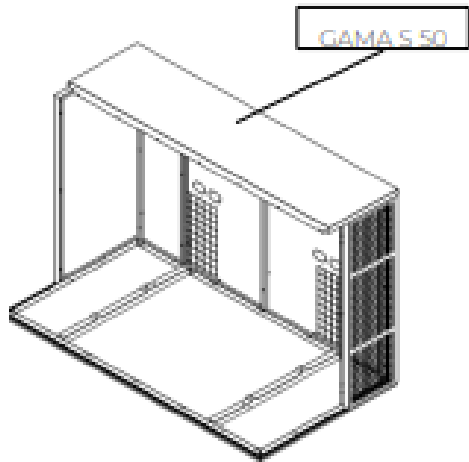


GAMA S 50

ADHESE EPDM GASKET AFTER CIRCUMFERENCE

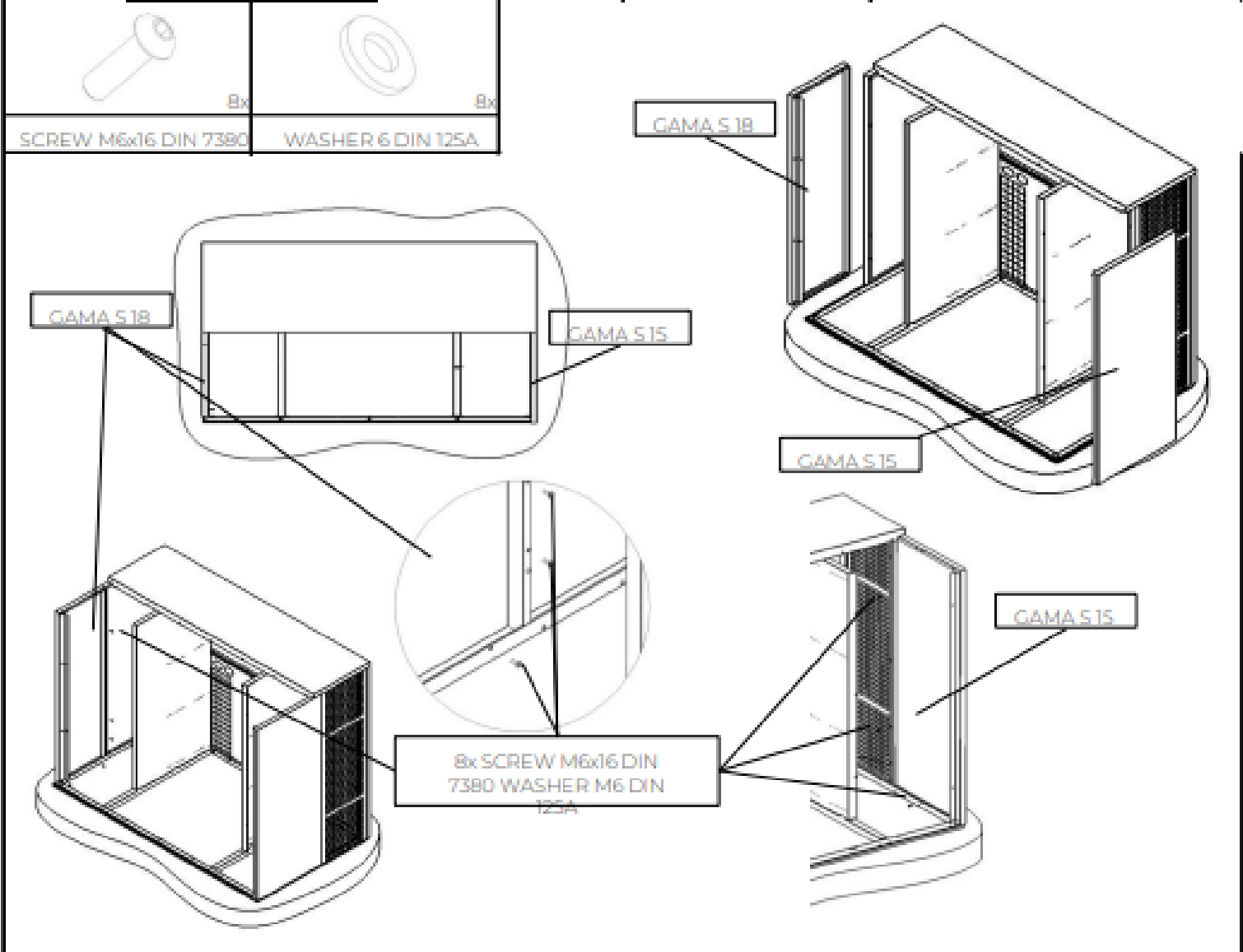
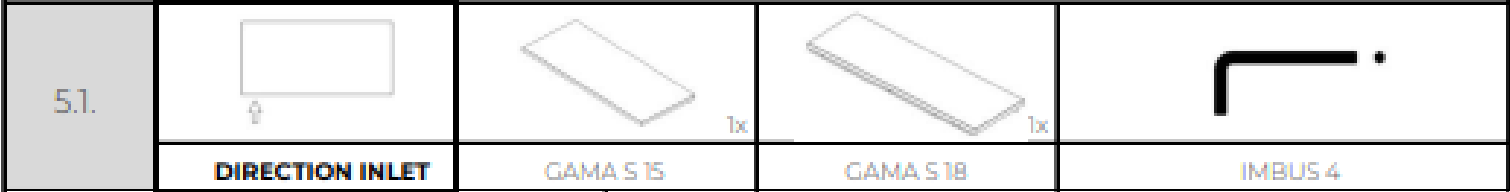
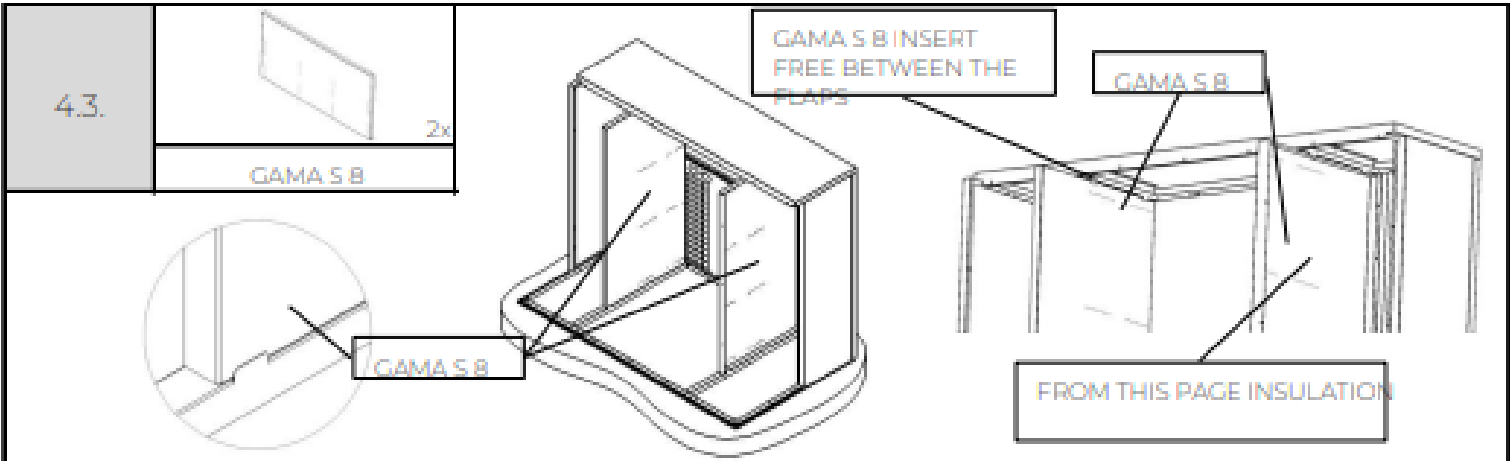


1x SCREW M6x16 DIN 7380  
WASHER M6 DIN 125A



GAMA S 50





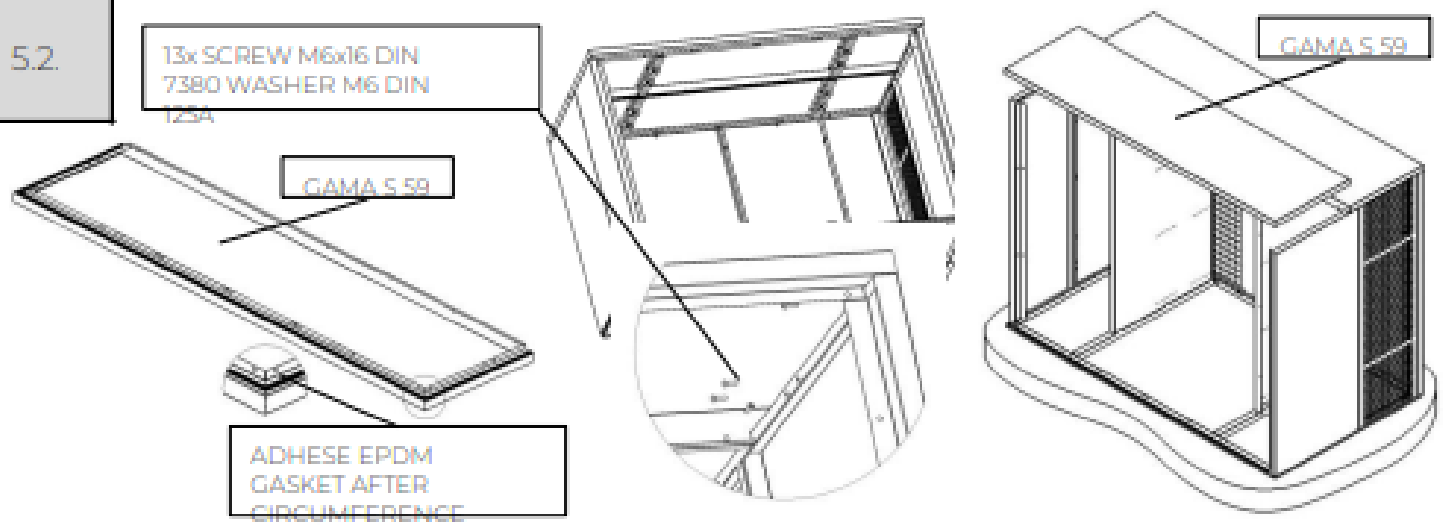
5.2.

13x SCREW M6x16 DIN 7380  
WASHER M6 DIN 125A

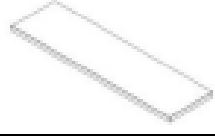
GAMA S 59

ADHESIVE EPDM  
GASKET AFTER  
CIRCUMFERENCE

GAMA S 59



5.3.



1x

GAMA S 9



12x

SCREW M6x16 DIN 7380

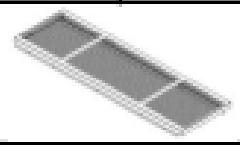


12x

WASHER 6 DIN 125A



IMBUS 4



1x

GAMA S 16

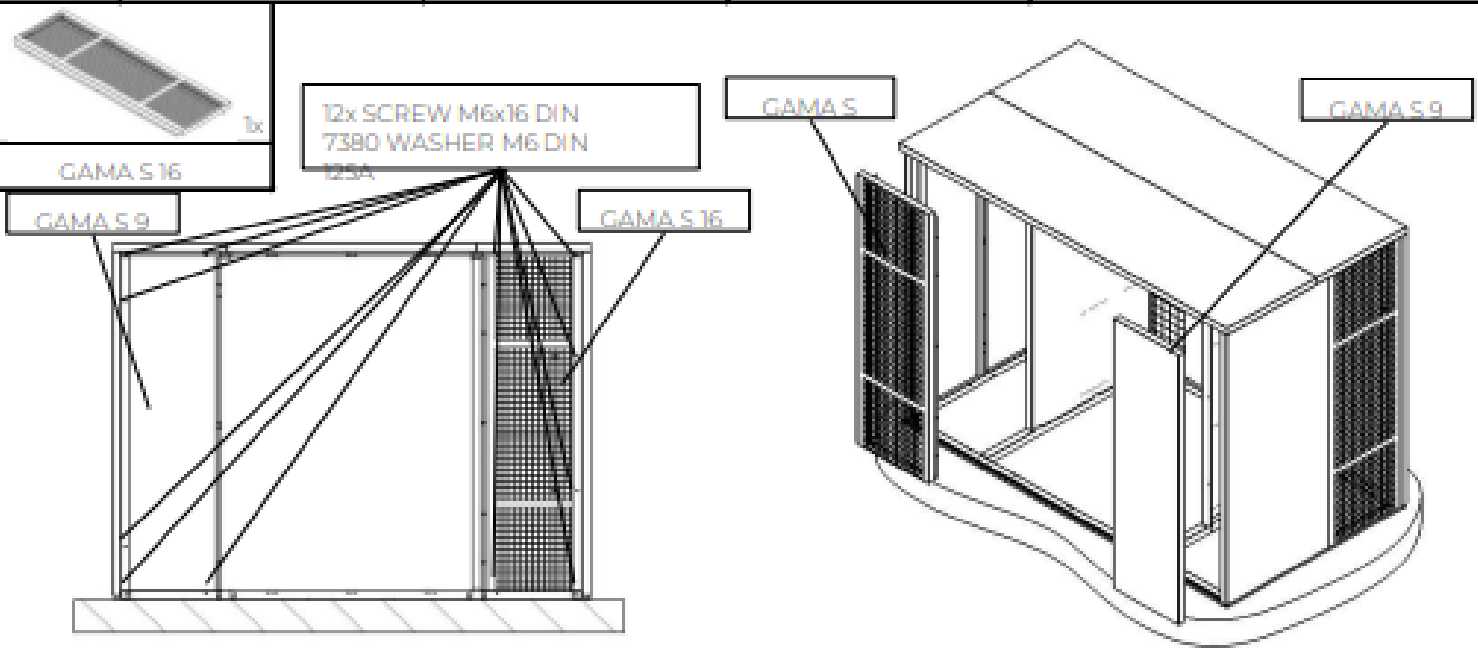
12x SCREW M6x16 DIN 7380  
WASHER M6 DIN 125A

GAMA S

GAMA S 9

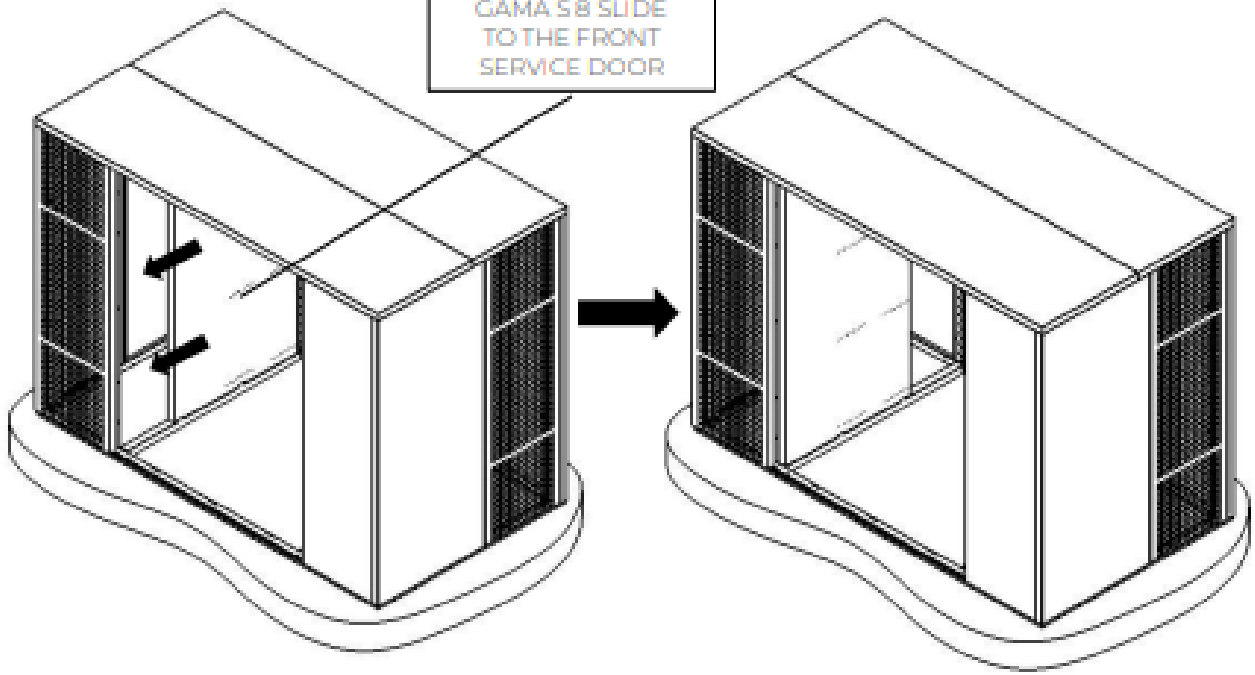
GAMA S 9

GAMA S 16

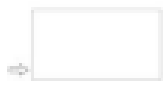


5.4.

GAMA S 8 SLIDE  
TO THE FRONT  
SERVICE DOOR



6.1.



**DIRECTION INLET**



GAMA S 16

1x



GAMA S 15

1x



IMBUS 4



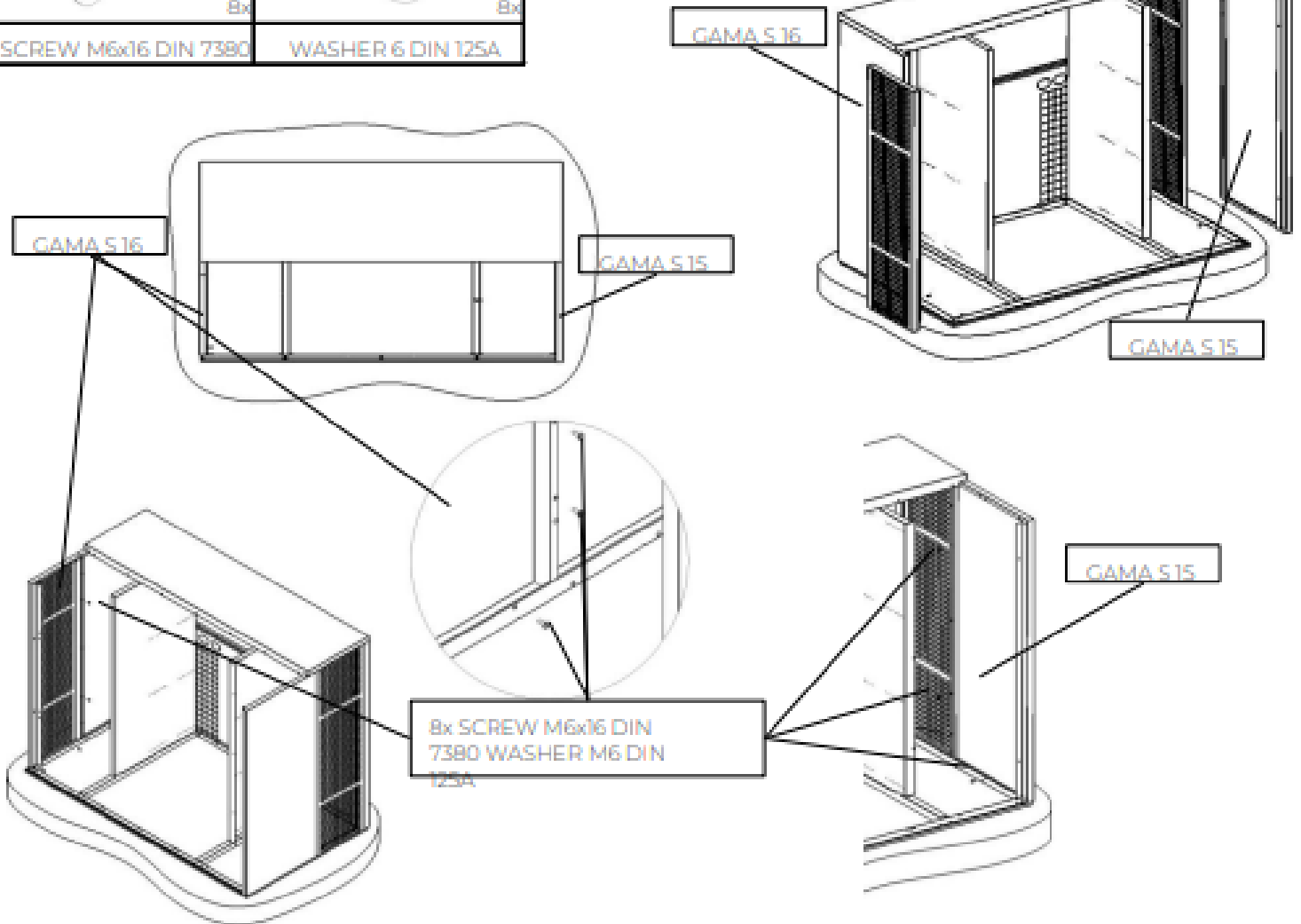
8x



8x

SCREW M6x16 DIN 7380

WASHER 6 DIN 125A



6.2.



GAMA S 59

1x



SCREW M6x16 DIN 7380

13x

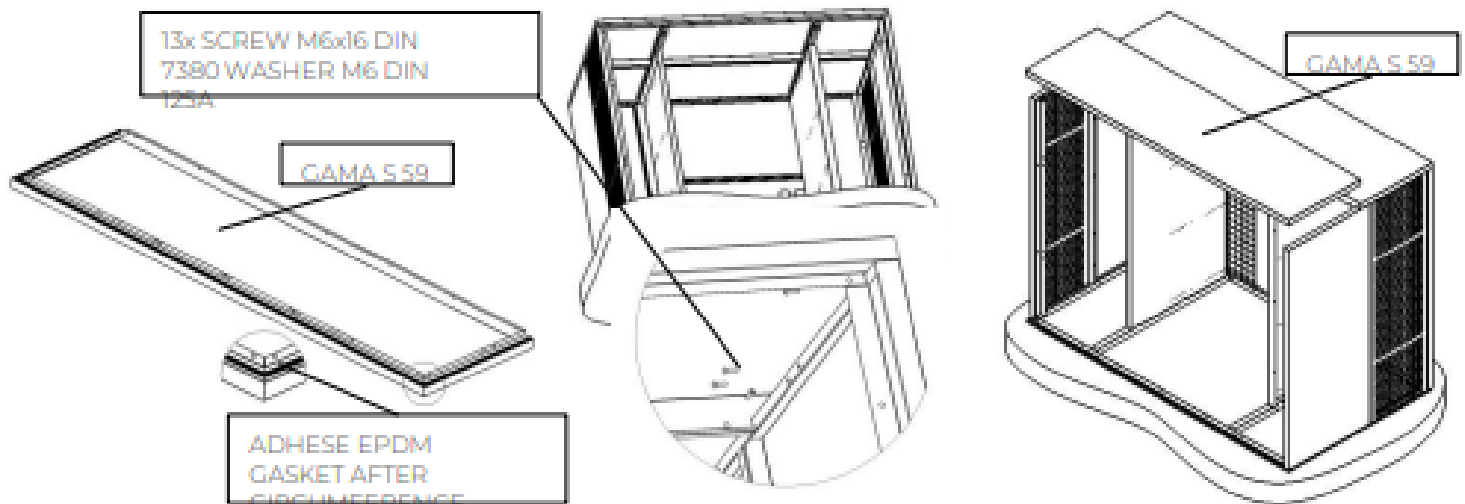


WASHER 6 DIN 125A

13x



IMBUS 4



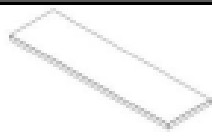
13x SCREW M6x16 DIN 7380  
WASHER M6 DIN 125A

GAMA S 59

ADHESIVE EPDM  
GASKET AFTER  
CIRCUMFERENCE

GAMA S 59

6.3.



1x

GAMA S 9



12x

SCREW M6x16 DIN 7380



12x

WASHER 6 DIN 125A



IMBUS 4



1x

GAMA S 18

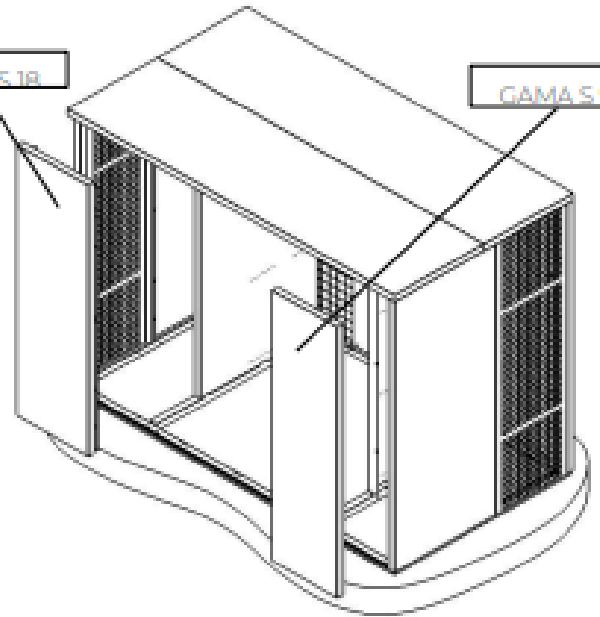
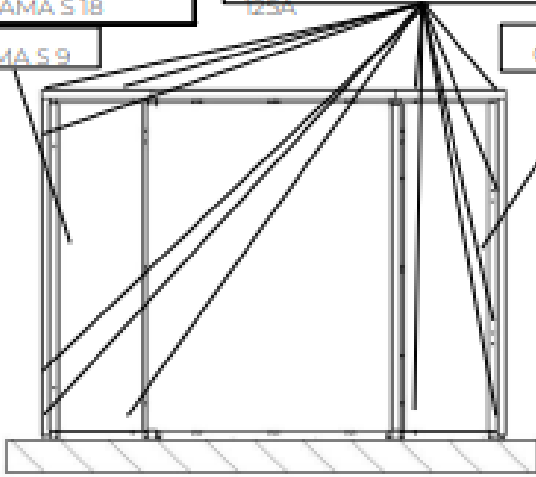
12x SCREW M6x16 DIN 7380  
WASHER M6 DIN 125A

GAMA S 18

GAMA S 9

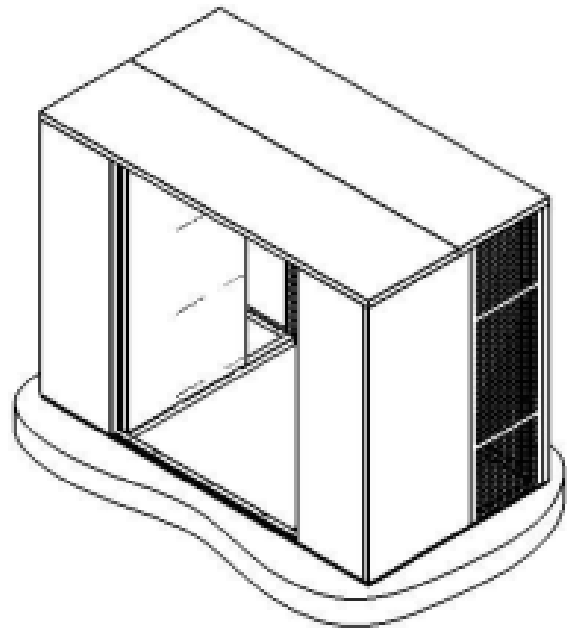
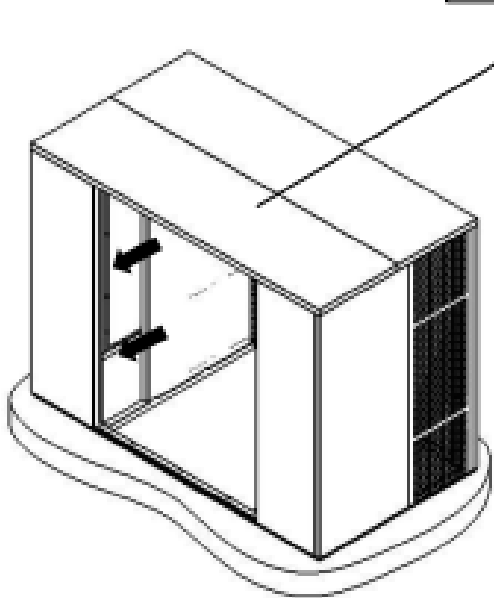
GAMA S 9

GAMA S 16

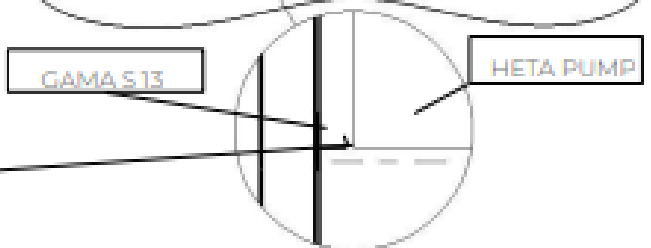
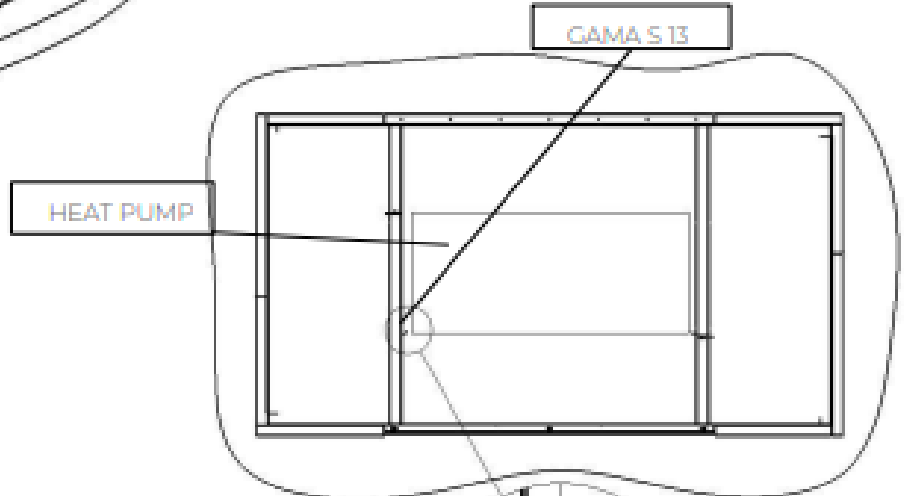
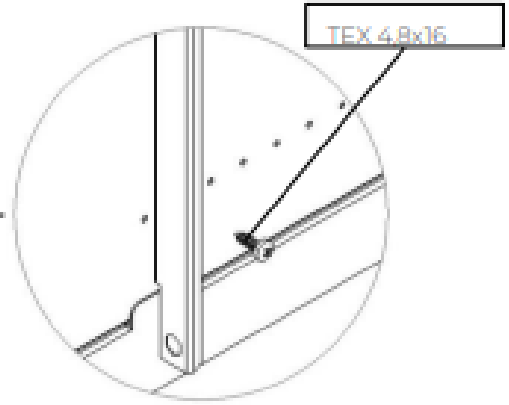
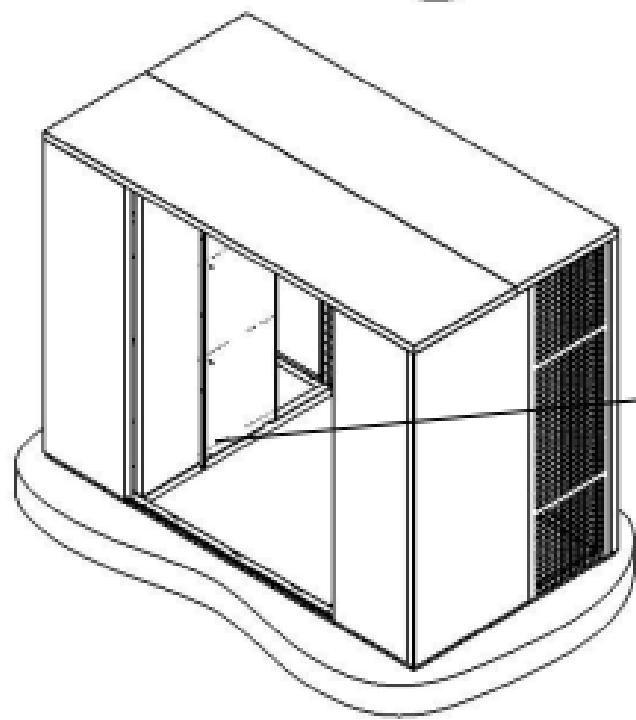
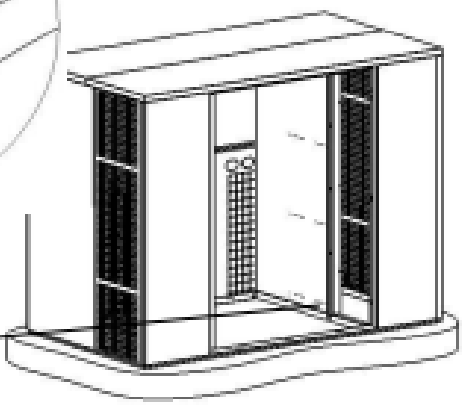
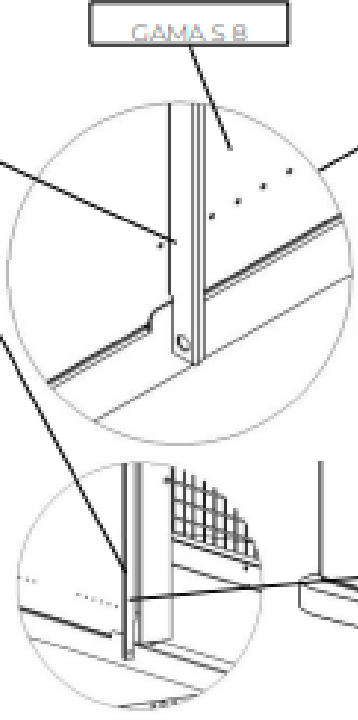
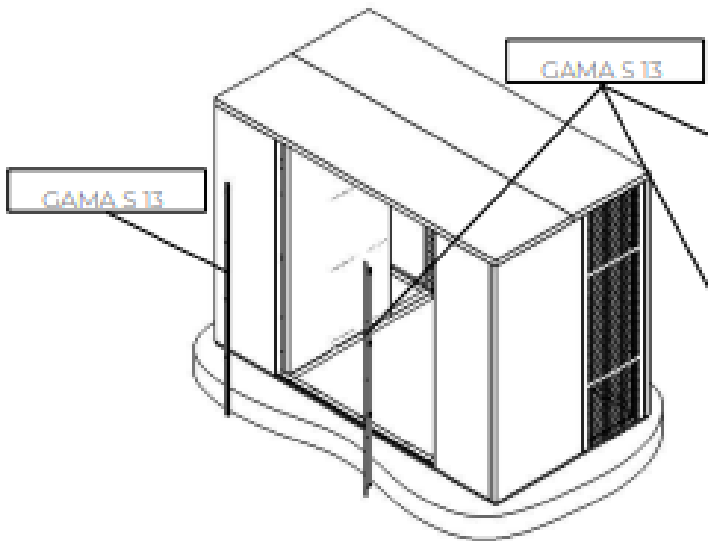
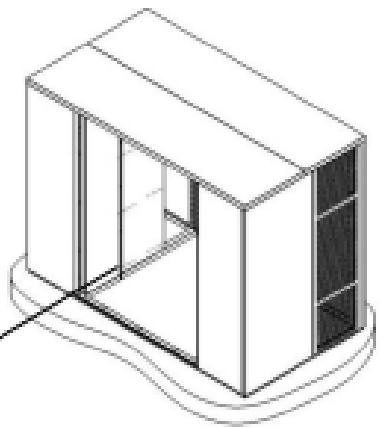
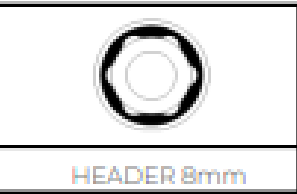
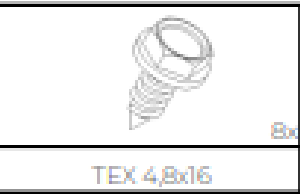
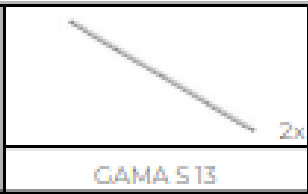


6.4.

GAMA S 8 SLIDE  
TO THE FRONT  
SERVICE DOOR

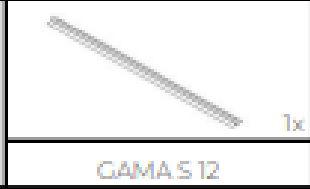


7.1.

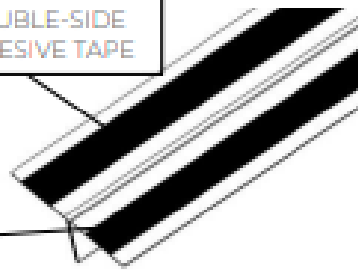


BETA S 13 ALIGN TO ONE PLANE WITH HEAT PUMP

7.2



DOUBLE-SIDE ADHESIVE TAPE

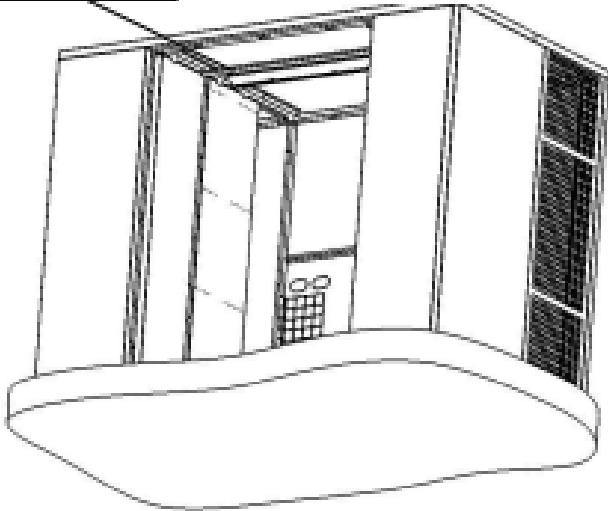


GAMA S

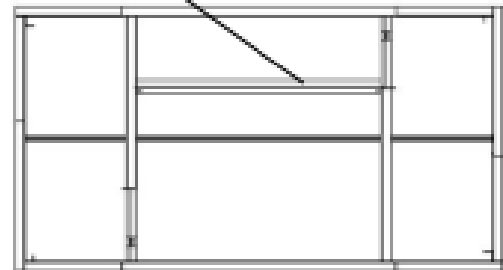


SHORT THE PART AS NEEDED

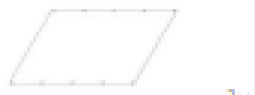
GAMA S 12



GAMA S 12



7.3



GAMA S 14

SCREW M6x16 DIN 7380

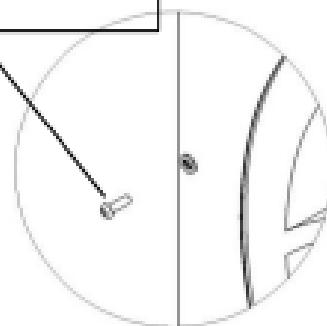
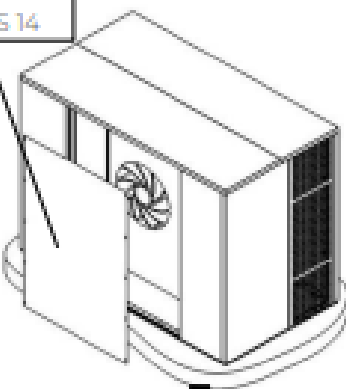
WASHER 6 DIN 125A

IMBUS 4

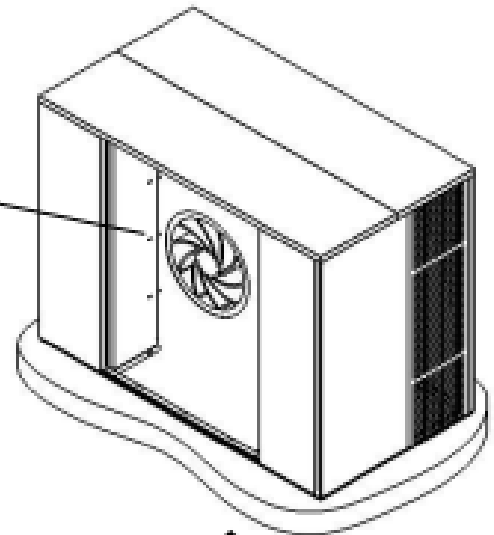


10x SCREW M6x16 DIN 7380

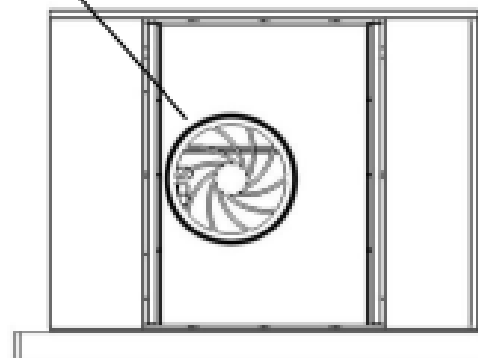
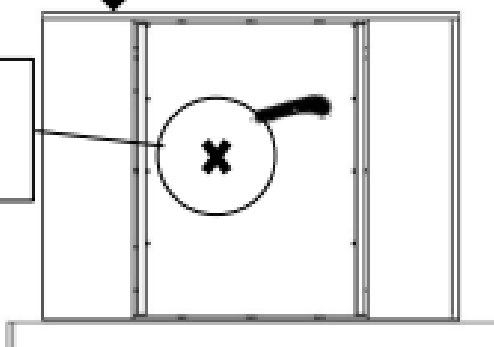
GAMA S 14



REMOVE PART GAMA S 14 AND FAN ENCLOSURE WITH DOUBLE-SIDED ADHESIVE TAPE



TO GAMA PART S 14 CUT FACE SHAPE ON HEAT PUMP



7.5.



1x

GAMA S 19



10x

SCREW M6x60 DIN 7380



10x

WASHER B PLAST

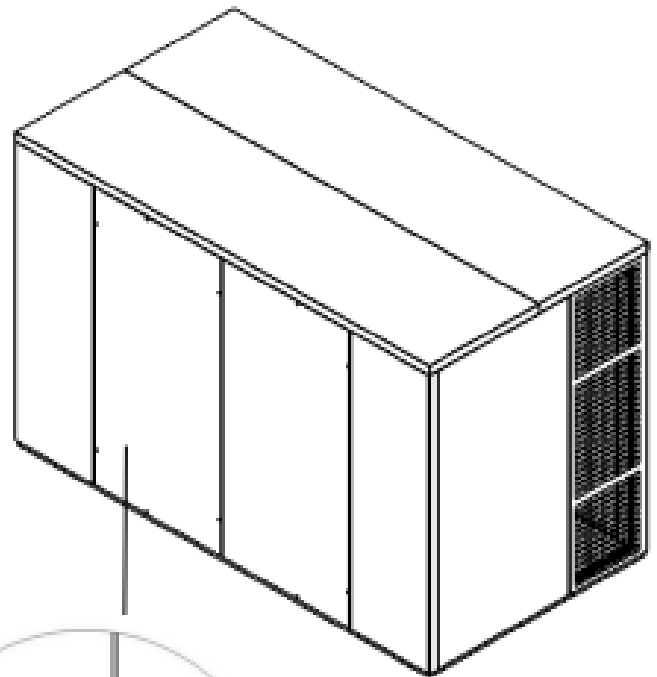
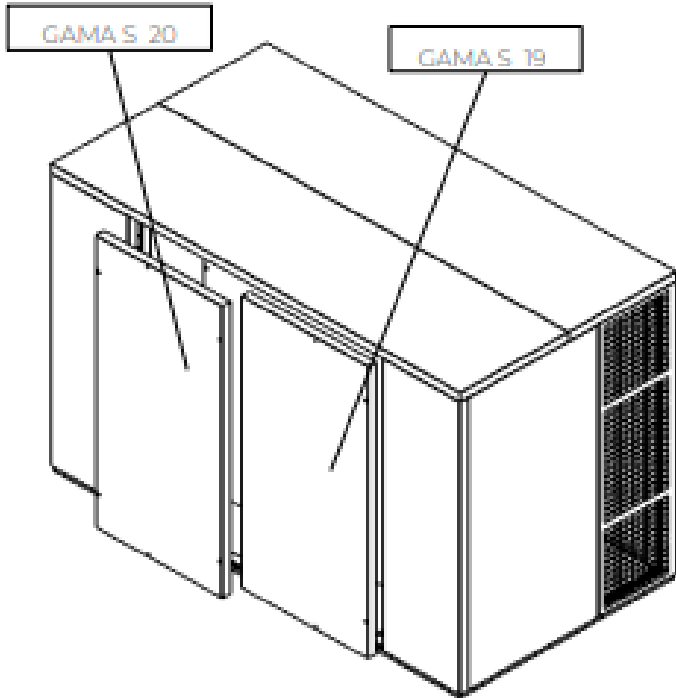


IMBUS 4



1x

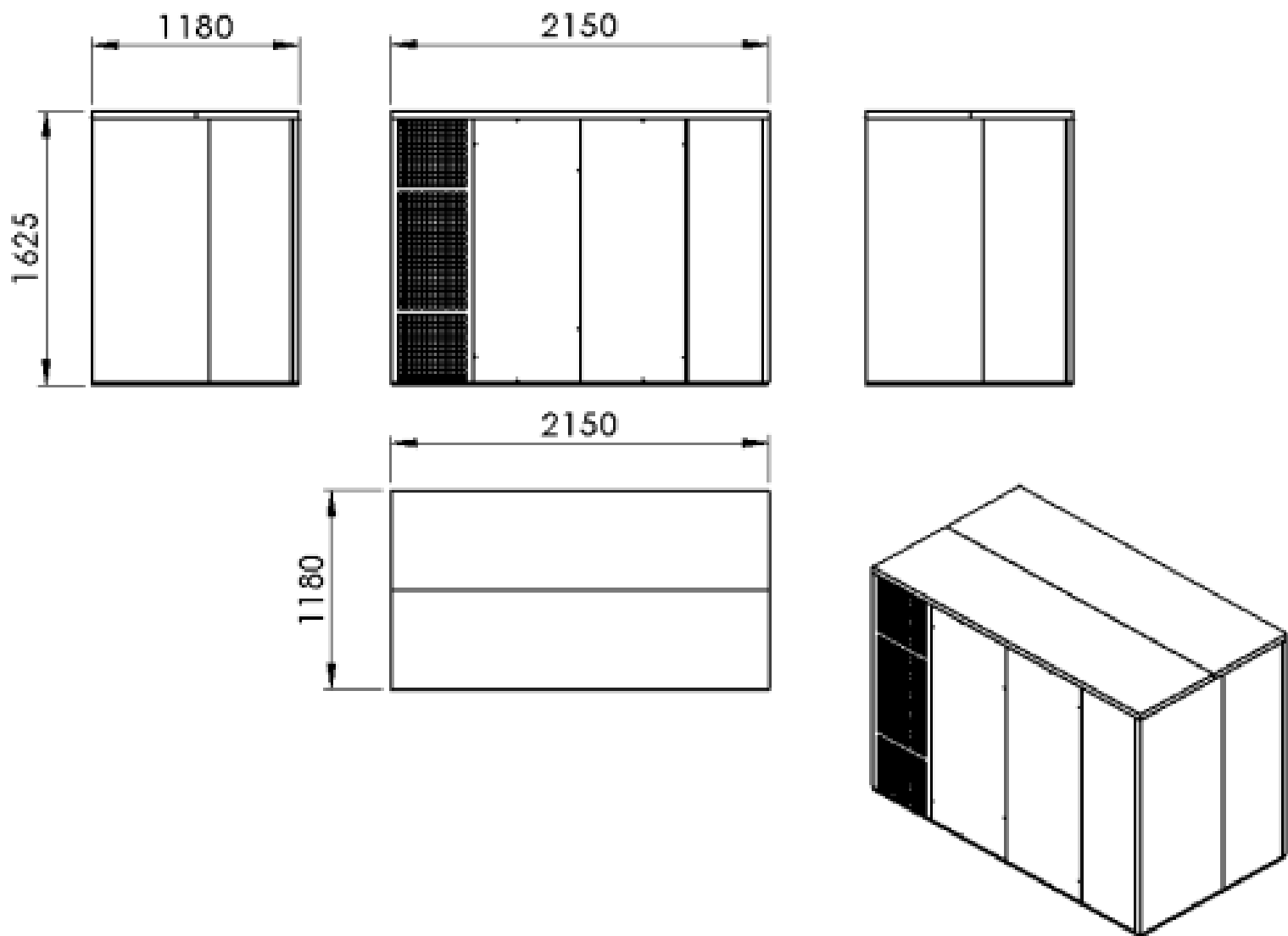
GAMA S 20



10x SCREW M6x60 DIN 7380  
WASHER MB PLAST



**TIGHTEN CAREFULLY**



evolar